

2

1

B

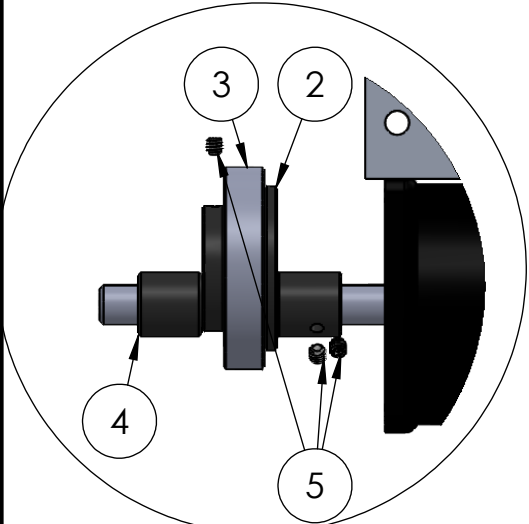
B

A

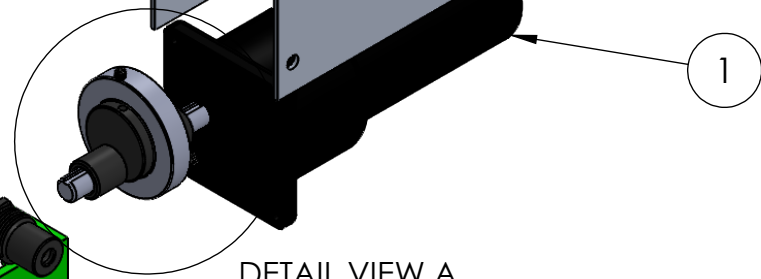
A

2

1



DETAIL VIEW A



DETAIL VIEW A

AC SIMPLEX
EXPLODED VIEW



SPEC SHEET

2

1

DIMENSIONS (inches)		WEIGHT
2500S SIMPLEX	17L X 17.25W X 10.25T	28 LBS
2500AC SIMPLEX	17L X 17.25W X 13.50T	31 LBS
2500S DUPLEX	17L X 21.5W X 10.25T	31 LBS
2500AC DUPLEX	17L X 21.50W X 13.50T	34 LBS
5000S SIMPLEX	20L X 17.25 W X 10.25T	35 LBS
5000AC SIMPLEX	20L X 17.25W X 13.50T	34 LBS
5000S DUPLEX	20L X 21.5W X 10.25T	38 LBS
5000AC DUPLEX	20L X 21.50W X 13.50T	37 LBS

ADD 2LBS/HEAD TO WEIGHT FOR 3/4" AND 1" HEADS

REPLACEMENT PACKING

PART #	DESCRIPTION
HIS030	1/4" BUNA OR VITON
HIS049	1/4" EXTREME
HIS031	3/8" BUNA OR VITON
HIS070	3/8" EXTREME
HIS032	1/2" BUNA OR VITON
HIS076	1/2" EXTREME
HIS098	1" BUNA OR VITON



ITEM NO.	PART NUMBER	DESCRIPTION
1	HIS016	5000S DC MOTOR
2	HIS006	CAM
3	HIS028	CAM BEARING
4	HIS085	FRONT SHAFT BUSHING
5	HIS019	1/4"-20 SET SCREWS
6	HIS005	FLUID HEAD
7	HIS108	SUCTION CHECK VALVE
8	HIS109	DISCHARGE CHECK VALVE
9	HIS013	BLEEDER VALVE
10	HIS003	FLUID HEAD NUT
11	HIS001	PACKING NUT
12	HIS009	3/8" PLUNGER
13	HIS004	YOKE
14	HIS002	YOKE NUT
15	HIS020	3/8"-16 SET SCREW
16	HIS007AC	FOLLOWER
17	HIS057	BLIND PLUNGER
18	HIS056	BLIND FLUID HEAD

EXTRA PARTS

1	HIS053	2500S DC MOTOR
2	HIS055	2500AC MOTOR
3	HIS103	5000AC MOTOR
4	HIS010	1/4" PLUNGER
5	HIS008	1/2" PLUNGER
6	HIS096	3/4" PLUNGER
7	HIS095	1" PLUNGER

2

1